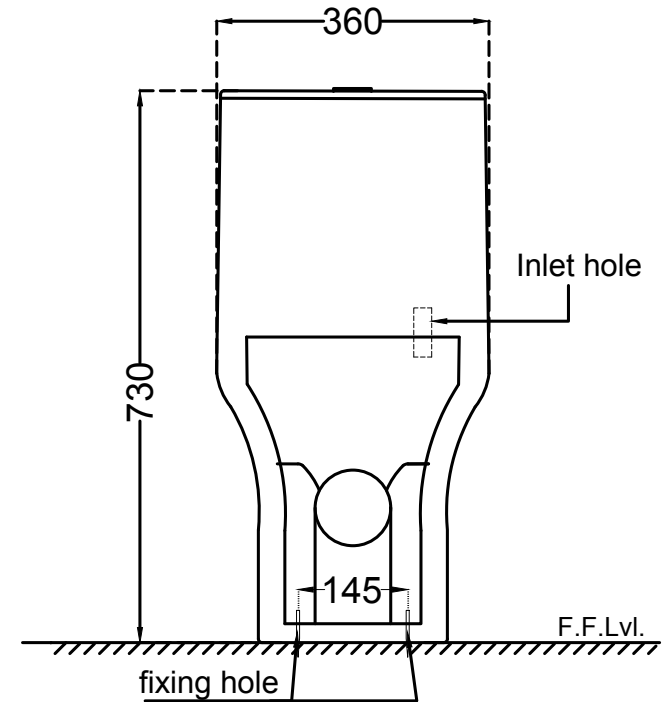
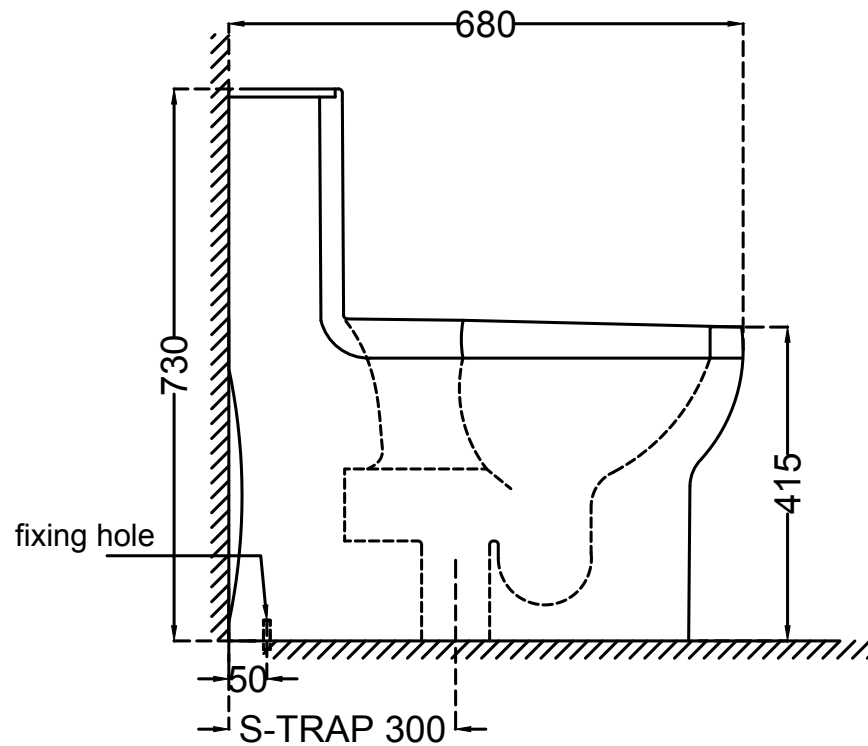


TOP VIEW



BACK VIEW



SIDE VIEW

 BY <b>Jaquar</b> GROUP	<b>Jaquar Group</b> Global Headquarters Plot No. 3, Sector- M-11, IMT Manesar Gurgaon, NCR - 122050, India E-mail : Sales: <a href="mailto:support@jaquar.com">support@jaquar.com</a> Customer Service : <a href="mailto:service@jaquar.com">service@jaquar.com</a>		ITEM CODE	AIS-WHT-101853S300SPPSM
	ITEM TYPE	SINGLE PIECE WC S TRAP-300 MM		
	ITEM SIZE	360x680x730 mm		
	ALL DIMENSIONS ARE IN MM. (TOLERANCE ± 5 MM)			