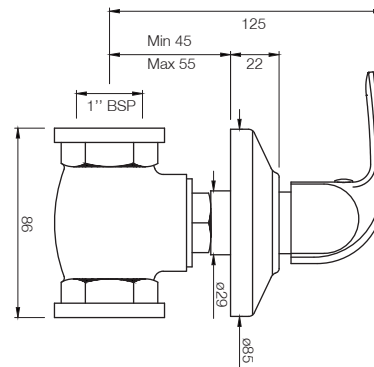


PRODUCT IMAGE



TECHNICAL DRAWING



PRODUCT DETAILS

Description	In-wall Flush Valve with Wall Flange, Size 25 mm
Product Code	ORB-CHR-105081
Connection Size (mm)	N.A
Aerator Size	N.A
Flow Rate	47.00 LPM @ 3 bar
Flow Regulator	N.A
Recommended Water Pressure	0.5 Bar - 5 Bar
Material Composition Specification in Percentage	<p>Brass Ingots as per IS:1264-1997- Cu (58.0-63.0), Sn (0.0-1.0), Pb (0.5-2.5), Ni (0.0-1.0), Al (0.2-0.8), Mn (0.0-0.5), Total Impurity (0.0-2.0), Zn (Remainder)</p> <p>Brass Rod as per IS:319-1989- Cu (56.0-59.0), Pb (2.0-3.5), Fe (0.0-0.35), Total Impurity (0.0-0.7), Zn (Remainder)</p> <p>ABS- Specific Gravity (g/cm²)-(1.06-1.10), Melt Mass Flow Rate (g/10 min.)-(20-26), Rockwell Hardness-(95-115), DTUL @ 66 psi (0.45 MPa) (0C)-(78-102)</p>
Cartridge Specification	<p>Fittings: Components have WRAS Approved for food grade conformity with Brass Housing and Spindle Life Cycle EN 200: 200,000 cycles (Standard), -4.0 LAC Cycles as per EN 200*</p>
Water Tightness	12 bar (Pass)
Pressure Resistance	20 bar (pass)
Finish	Plating: Nickel-8.0 micron Chromium-0.20 micron, Salt Spray (300 hrs+Validated), Adhesion (Pass)
Available Colour Finishing	Chrome (CHR)