



# QPS-WHT-7803PM+QPS-WHT-7303PM

## SPECIFICATION DATA SHEET

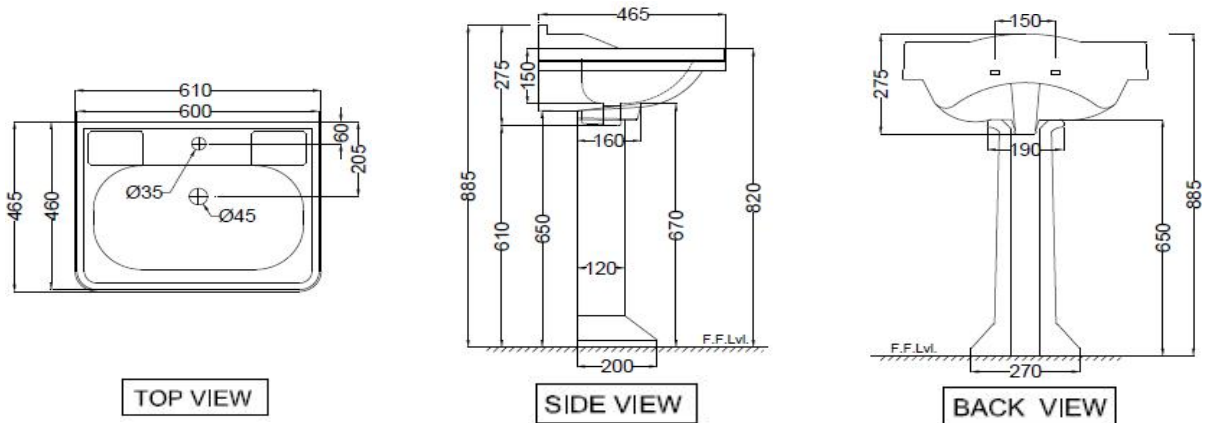
### PRODUCT DETAILS

<b>Manufacturer :</b>	Jaquar	<b>Type:</b>	Wall Hung Basin with Full Pedestal
<b>Outlet</b>	Vertical	<b>Colour:</b>	White
<b>Technical Details:</b>	Tap hole dia. $\varnothing 35 \pm 2$ mm	<b>Material:</b>	Ceramic - Vitreous China
	ID of waste outlet hole dia. $\varnothing 45 \pm 3$ mm Horizontal distance between the center line of the tap hole and the center line of the waste outlet hole $\leq 145$ mm		

### PRODUCT IMAGE



### TECHNICAL DRAWING



<b>Product Dimension</b>	610x465x275 mm With pedestal height 885 mm	<b>FEATURES</b>  Anti-Germ, Victorian Designed Sanitaryware, with tap hole.
<b>Basin Inner Dimension</b>	480x350x115 mm	
<b>Product Weight</b>	18 kg	

### ACCESSORIES INCLUDED

Overflow hole Cap	ZPS-WHT-9012B
Rag bolt	ZPS-MST-RB03

### ACCESSORIES EXCLUDED

Full Pedestal	QPS-WHT-7303PM
---------------	----------------

### CERTIFICATION

Compliance: EN 14688 : 2015 (E) A, SANS 497 : 2011

All technical dimensions are in accordance to British standards, Bureau of Indian Standards



DISCLAIMER: Our every effort has been made to ensure factual accuracy, the information presented subject to changes due to requirements in different sites, markets and/ or countries. All dimensions are in mm (Tolerance  $\pm 5$  MM). Jaquar reserves the right to make the necessary amendments at any time without prior notice.